



ORBIT 20

USER GUIDE

ENGLISH

Orbit 20 (Generation 3) User Guide

Thank you for buying this Cubic Orbit 20 Jellyfish Aquarium.

It has been carefully designed to offer many years of reliable service when set-up and maintained in accordance with these instructions and we hope it provides much pleasure and enjoyment wherever it is located.

These instructions should be read in full and followed prior to the installation, running, or addition of any live animals into your aquarium.

For best results, we recommend the use of this manual combined with the 'Jellyfish Husbandry Guide' which can be downloaded from www.cubicaquarium.com/download

BEFORE ASSEMBLY

The aquarium and all components should be carefully removed from its packaging and inspected to ensure there has been no damage while in transit. If damage is evident, you should contact your dealer as soon as possible before setting up the aquarium.

Your aquarium package includes the following:

- 1x Orbit 20 jellyfish aquarium
- 2x Coloured tank rings (black)
- 1x Remote control
- 1x DC power supply
- 1x Lid with LED light (connected)
- 1x Silent pump (connected)
- 4x Silicone hoses (connected)
- 1x valve (connected)
- 1x Spray bar (attached)
- 1x Filtration sponge
- 4 bags x Filtration media
- 1x Instruction manual

Accessories included:

- 1x Feeding baster
- 1x Syphon hose
- 1x Hydrometer
- 1x Net
- 1x Cleaning stick

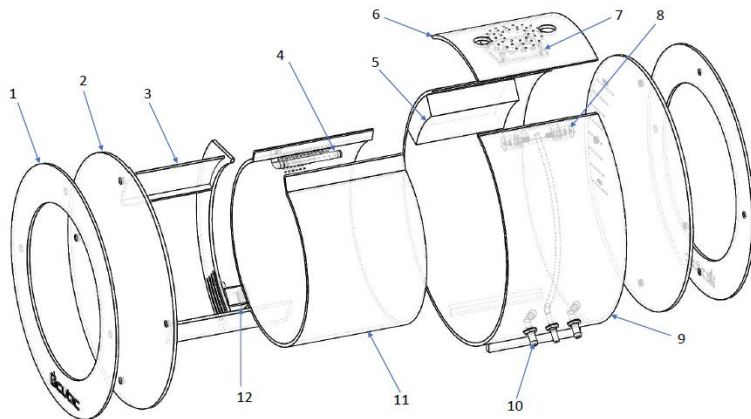
The Orbit 20 Jellyfish Aquarium has been carefully developed and tested rigorously to ensure that it offers the best conditions and caters for the very specific needs of jellyfish.

IMPORTANT:

- Under no circumstances should:
 - a. power be supplied to the aquarium prior to it being filled with appropriate water and the circulation pump submerged. Failure to do so may result in severe damage to the pump and invalidate warranties.
 - b. any form of media, substrate or decoration be added to the main display chamber.
- When filled and operating, the aquarium will weigh approximately 20kg. It should therefore be placed on a flat level surface of sturdy construction capable of supporting a minimum recommended 30kg and withstanding accidental contact.
- The aquarium should be positioned out of the reach of young children and away from direct sunlight that may induce excessive algal growth and overheating of the water which can result in stress and damage to any livestock present.

Section 1. Initial Set Up:

Figure 1.



- | | |
|----------------------------|--|
| 1. Coloured aquarium ring | 2. Aquarium window |
| 3. Overflow panel | 4. Spray bar |
| 5. Filtration sponge | 6. Lid |
| 7. LED light | 8. Connectors for pump and LED light |
| 9. External aquarium body | 10. Connections for external chiller/ filter |
| 11. Internal aquarium ring | 12. DC pump |

1. Empty the Orbit 20 of all its contents (excluding the pipes already attached) and rinse the inner and outer tank sections with tap water.
2. Place the Orbit 20 on a flat stable surface.
3. Open the bags of filtration media, rinse them in water to remove excess debris, and pour them gently into the filtration section (3).
 - a. To speed up the cycle of water conditioning, we recommend adding some live media to this section, or add bacteria starter.

***Why?** To increase the number of waste-eating bacteria to levels where they can sustain the optimal water quality needed for your jellyfish.*

4. Place the filter sponge (5) behind the overflow box as shown in (figure 1)
5. Attach the coloured tank rings (1) to the front and back of the tank. Simply put the disk against the transparent window of the aquarium and move it until the magnets line up and it snaps into place.
6. Fill both inner chamber and filtration sections with suitable water. The water level should not exceed the "max fill" written on the side of filtration section
7. Fit the lid securely (6).
8. Plug the power supply into the wall socket.

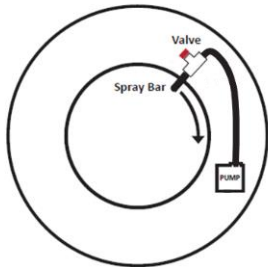
Optional: Orbit20 can be connected to external filter/ chiller via connections outside the tank (10). Please see Section 2 for more details.

Section 2. Connecting an external filter/chiller

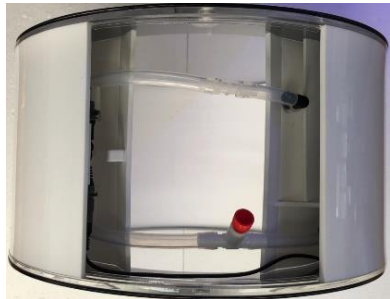
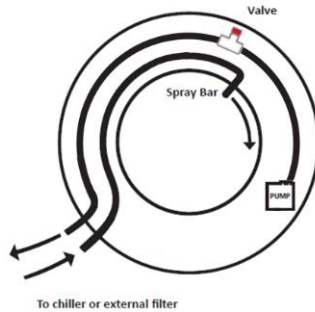
The Orbit 20 aquarium has two pipe connectors on the side of the tank allowing an external chiller to be run from the internal aquarium pump. To connect an external filter or chiller to the aquarium, please follow the plumbing diagram below:

Figure 2.

Standard Configuration



Configuration for external filter/chiller



Section 3. Salt Water

The use of tap water is not recommended as it may contain excess pollutants or high concentrations of Chlorine and other contaminants which may be extremely harmful to the aquarium inhabitants.

We highly recommend the use of natural sea water or pure Reverse Osmosis/deionised water mixed with a good quality aquarium salt when keeping jellyfish. Pure Reverse Osmosis or deionised water should also be used when replacing water that has evaporated from the tank.

Section 4. Maturing the Aquarium and Adjusting Flow Rates

Water Maturity

Jellyfish are highly sensitive to freshly mixed salt water and water maturity is very important.

- a. If using fresh mixed salt water and/or artificial media that require maturation, then the aquarium should be left to run for two weeks prior to the addition of any livestock.

Why? The settling period allows the water to 'age' and stabilise chemically, and for the bacterial colonies to establish on and within the media.

- b. If using fresh mixed water with a pre-matured biologically active filter (live rock rubble) then the settling period may be reduced to 1 week.

Flow Rate

Once livestock is added, the flow rate should be adjusted. This can be done by turning the red flow adjustment knob on silicone tube connecting the pump to the spray bar.

For best results with Jellyfish, the flow rate should be such that the animals are very gently circulated around the aquarium at a rate no more than that required to prevent the jellyfish from settling on the bottom. This rate of flow will also help keep food suspended in the water column where the jellyfish can feed effectively.

Please read the 'Jellyfish Husbandry Guide' which can be downloaded from cubicaquarium.com/download for information specifically relating to keeping jellyfish and water quality testing

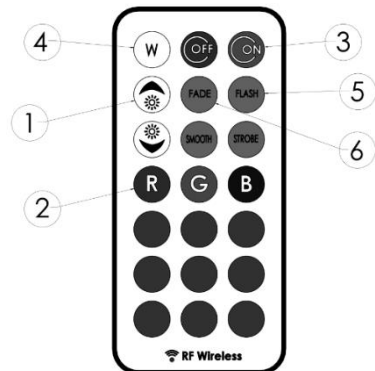
Section 5. Using the Remote Control

The remote control provided communicates with your aquarium using infrared signals and allows you to:

- 1) Increase or decrease brightness
- 2) Set to a selected colour
- 3) Turned on and off
- 4) White
- 5) Flash and strobe settings
- 6) Fade and smooth settings

To change settings, use the remote from a distance of no more than **3 metres**.

Figure 3.



Section 6. Choosing Your Jellyfish

This aquarium has been designed to maintain the correct flow and water filtration to allow you to keep most species of jellyfish. The limiting factors when choosing jellyfish species are:

Temperature

When choosing your jellyfish, you first need to know that maximum and minimum temperature of the room where the aquarium will be placed. Once you know this information you can choose a jellyfish species that will thrive within that temperature range. The Orbit 20 has external connections allowing the tank to be connected to an external chiller or filter. When connecting your aquarium to an external device please refer to Section 2.

Size

Various types of jellyfish are available on the market but many of them grow to large sizes. It is important when choosing jellyfish that you consider its rate of growth and maximum size.

If you choose to keep jellyfish with a very small maximum size, you can feed heavily but if the jellyfish you keep can grow to a large size, it is important to balance its food intake. This way you can keep its growth slow ensuring you can keep it in your Orbit 20 aquarium for as long as possible before it has to be rehoused or returned to the pet shop.

Please check our 'Jellyfish Husbandry Guide' for more information on jellyfish species and their husbandry requirements.

Section 7. Aquarium Cleaning and Maintenance

Keeping your Orbit 20 jellyfish aquarium cleaned and well maintained will prolong the life of your jellyfish and your aquarium

IMPORTANT: Under no circumstances should:

- a. detergents, spray cleaners or any other chemical agent be used on or near the aquarium.

Why? *Using such materials can harm the inhabitants and/or damage the acrylic finish and tank construction. Any such use will invalidate applicable warranties.*

- b. excessive pressure be used when cleaning, nor any form of harsh abrasive material be used.

Why? *The use of such materials may damage the vulnerable acrylic surface impairing its clarity and tendency to resist further biofilm accumulation.*

How to...

Feed Jellyfish

Use the feeding baster provided to gently add prepared food to the aquarium chamber. Please refer to the Feeding section of 'Jellyfish Husbandry Guide' for details on preparing jellyfish food. Feeding frequency will depend on the variety of jellyfish and the size to which you wish your stock to grow.

Clean External Surfaces

Use a soft lint-free cloth made damp with clean water or Reverse Osmosis water. Any smears or minor marks may be polished away afterwards by wiping down with a second soft lint-free dry cloth.

Clean Internal Surfaces

Over time the internal surfaces of the aquarium including the viewing panes may show a build-up or fine film, commonly known as a 'biofilm' consisting of bacteria and minor algal populations. These may be removed by regular gentle wiping with a suitable soft sponge or dedicated acrylic cleaning pad available from your aquatic retailer.

Clean Filter Sponge

The internal filter sponges will need regular routine cleaning. The regularity of maintenance required will depend on the number of animals kept and the amount/types of food used. As a general recommendation, it is suggested that the sponge be removed and rinsed under hot running water before being given a final rinse in Reverse Osmosis water at least once every two weeks.

Check Water Salt Levels

Use the hydrometer provided to take a sample of the aquarium water. Salinity reading should be between 1.023-1.026 specific gravity or 30-35 parts per thousand.

Change Water

Regular water changes are an essential and accepted part of maintaining a healthy aquatic environment.

Whilst the built-in filtration system will help break down a large percentage of any waste and uneaten food generated, the accumulation of organic material and lowering of water quality over time mean that a regular routine of water changes is essential to both dilute unwanted accumulations, and to replenish vital trace elements that are provided

We recommend the following routine:

Daily

- Feed jellyfish once or twice as necessary
- Remove uneaten food

Weekly

- Gently wipe the inside of the tank to remove algae
- Check water salt levels
- 10% water change

Monthly

- Remove filter sponge and rinse under the tap

Every 3 Months

- Thoroughly clean the filter and filter sponge
- Remove and clean the pump

in the salt water. It is therefore recommended that at least 20% of the aquarium's water is exchanged for new on a monthly basis.

Ideally water changes should be split across two changes performed once every two weeks at the same time that the filter sponge is cleaned. The addition of a small amount of new salt water will have no adverse effect on any animals present as long as it is well mixed and aerated prior to addition.

Add new water to the filter compartment.

IMPORTANT:

- a. Always remember to turn off the circulation pump when conducting water changes to prevent the pump scavenging air.
- b. New water, including fresh top-up water, should always be added to the filter compartment only.
- c. Never add new water to the main display area as this may add bubbles to the display that can damage the Jellyfish if they become trapped under the body.
- d. Avoid any water splashes to the electrical connectors and do not connect to power if wet.
- e. The circulation pump may be turned on again only after it has been fully submerged.

Section 8. Disposing of jellyfish in the event they die or become too large for the tank

It is extremely important that **under no circumstances** are jellyfish to be released into the natural ecosystem by direct release or lavatory flushing. Even dead jellyfish can produce planula (jellyfish larva) which can attach to rock and begin producing baby jellyfish, and this can have disastrous consequences for the local environment.

Dead jellyfish should first be placed in a bucket of water and sterilised with a cap of bleach before being disposed of in a bag, in the trash.

If jellyfish become too large for the tank many pet shops will offer a buy back policy where they will exchange the jellyfish for cash or store credit.

.....
.....

For further information visit cubicaquarium.com

For additional support and advice visit the Cubic Forum and join the Jellyfish community at www.jellyfishkeepers.com

For Technical support and general enquiries email info@cubicaquarium.com

